

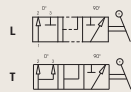
+ GB3

3-WAY HIGH PRESSURE BALL VALVES



CARBON STEEL

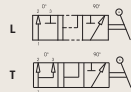
- Type: ball valve GB 3 way
- Body: square
- Material: 1,0570/1,0737
- Ball seats: from DN32 up to DN50
- O-Rings: NBR, FKM, EPDM, MVQ
- Operating pressure: 350 Bar depending on valve size and seal materials selected
- Temp range: -20°C to +100°C depending on seal material selected



GB3	G 1 1/2		DN40	2	2	1	1	A	B
Type and way of valve	GAS	NPT	Nominal dimension	Body material	Adapter material	Stem material	Ball material	Ball seat material	Adapter and stem seal material
GB3 3-way	DIN/ISO 228 BSP	ANSI/ASME B1.20.1							
	G 1 1/4	N 1 1/4	DN32	2 1,0570	2 1,0570	1 1,0737	1 1,0737	A POM	B NBR
	G 1 1/2	N 1 1/2	DN40					D PEEK	E FKM
	G 2	N 2	DN50					G PA612	F EPDM
								K GEMPTFE	L MVQ
								C PTFE	

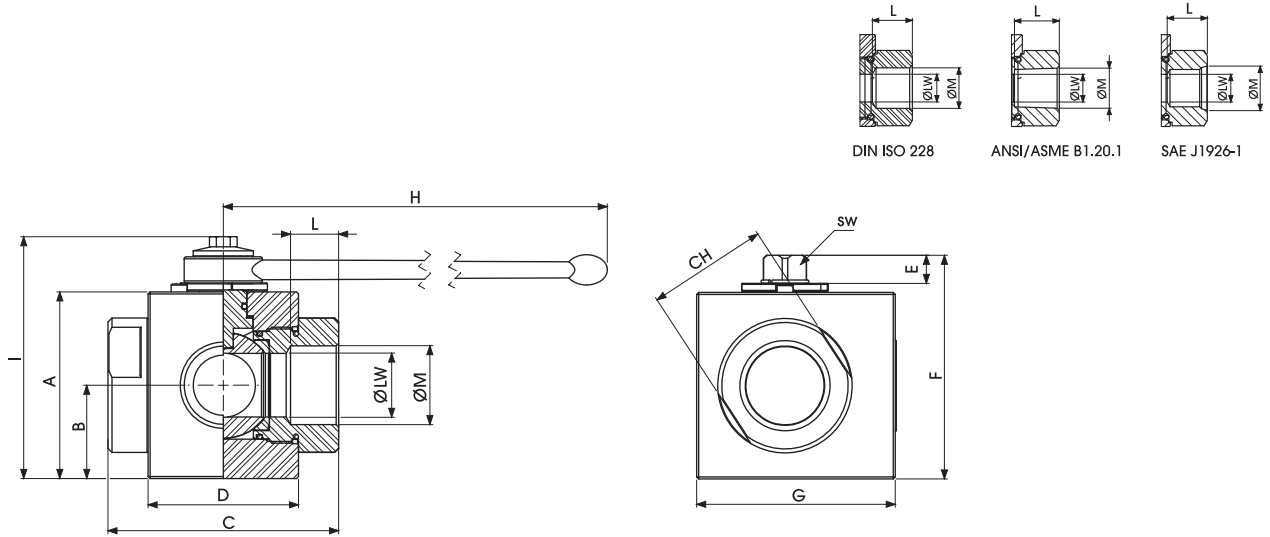
STAINLESS STEEL

- Type: ball valve GB 3 way
- Body: square
- Material: 1,4404/1,4404
- Ball seats: from DN32 up to DN50
- O-Rings: NBR, FKM, EPDM, MVQ
- Operating pressure: 350 Bar depending on valve size and seal materials selected
- Temp range: -60°C to +230°C depending on seal material selected



GB3	G 1 1/2		DN40	4	4	4	4	A	B
Type and way of valve	GAS	NPT	Nominal dimension	Body material	Adapter material	Stem material	Ball material	Ball seat material	Adapter and stem seal material
GB3 3-way	DIN/ISO 228 BSP	ANSI/ASME B1.20.1							
	G 1 1/4	N 1 1/4	DN32	4 1,4404	4 1,4404	4 1,4404	4 1,4404	A POM	B NBR
	G 1 1/2	N 1 1/2	DN40					D PEEK	E FKM
	G 2	N 2	DN50					G PA612	F EPDM
								K GEMPTFE	L MVQ
								C PTFE	





GB3 DIN/ISO 228 BSP

Standard

TYPE	PN	DN	A	B	C	D	E	F	G	H	I	L	ØM	CH	SW	ØLW	KG	CARBON STEEL	STAINLESS STEEL
																		ITEM CODE	ITEM CODE
GB3 G 1 1/4	35 MPa	32	93	46,5	115	75	13,5	111,5	99	300	120,5	24	G 1 1/4	60	17	32	5,725	GB3GGT63021A000	GB3GGT63044A000
GB3 G 1 1/2	35 MPa	40	107	53,5	131	85	13,5	125,5	115	300	134,5	25	G 1 1/2	75	17	40	8,632	GB3GGT73021A000	GB3GGT73044A000
GB3 G 2	35 MPa	50	114	57	140	98	13,5	132,5	128	300	141,5	27	G 2	85	17	50	10,607	GB3GGT83021A000	GB3GGT83044A000

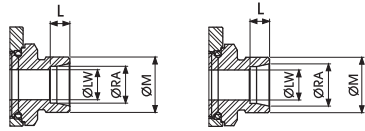
GB3 ANSI/ASME B1.20.1 NPT

Standard

TYPE	PN	DN	A	B	C	D	E	F	G	H	I	L	ØM	CH	SW	ØLW	KG	CARBON STEEL	STAINLESS STEEL
																		ITEM CODE	ITEM CODE
GB3 N 1 1/4	35 MPa	32	93	46,5	115	75	13,5	111,5	99	300	120,5	24	N 1 1/4	60	17	32	5,725	GB3NNT63021A000	GB3NNT63044A000
GB3 N 1 1/2	35 MPa	40	107	53,5	131	85	13,5	125,5	115	300	134,5	25	N 1 1/2	75	17	40	8,632	GB3NNT73021A000	GB3NNT73044A000
GB3 N 2	35 MPa	50	114	57	140	98	13,5	132,5	128	300	141,5	27	N 2	85	17	50	10,607	GB3NNT83021A000	GB3NNT83044A000

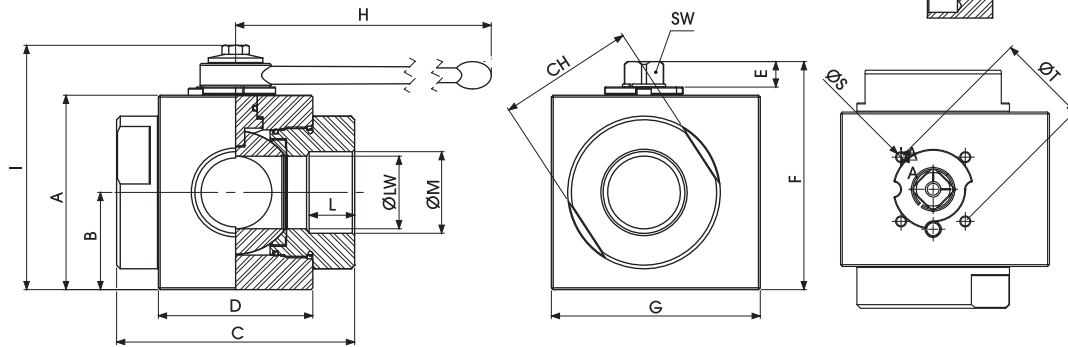
+ GB3

3-WAY HIGH PRESSURE BALL VALVES



DIN 2353 HEAVY SERIES

DIN 2353 LIGHT SERIES



SECTION A-A
SCALE 1:1

GB3 DIN/ISO 228 BSP

Standard

TYPE	PN	DN	A	B	C	D	E	F	G	H	I	L	ØM	CH	R	ØS	ØT	ISO5211	SW	ØLW	KG	CARBON STEEL	STAINLESS STEEL
																						ITEM CODE	ITEM CODE
GB3 G 1 1/4	35 MPa	32	93	46,5	115	75	13,5	111,5	99	300	120,5	24	G 1 1/4	60	11	M6	50	F05	17	32	5,725	GB3GGT63021AF50	GB3GGT63044AF50
GB3 G 1 1/2	35 MPa	40	107	53,5	131	85	13,5	125,5	115	300	134,5	25	G 1 1/2	75	11	M6	50	F05	17	40	8,632	GB3GGT73021AF50	GB3GGT73044AF50
GB3 G 2	35 MPa	50	114	57	140	98	13,5	132,5	128	300	141,5	27	G 2	85	11	M6	50	F05	17	50	10,607	GB3GGT83021AF50	GB3GGT83044AF50

GB3 ANSI/ASME B1.20.1 NPT

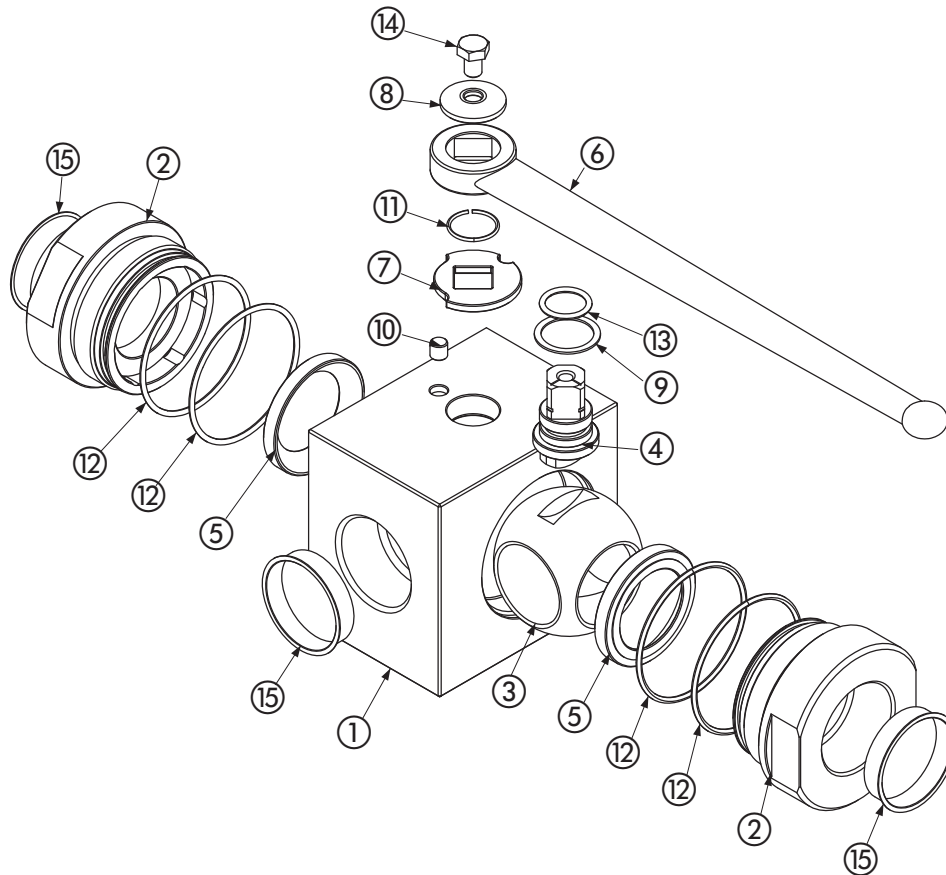
Standard

TYPE	PN	DN	A	B	C	D	E	F	G	H	I	L	ØM	CH	R	ØS	ØT	ISO5211	SW	ØLW	KG	CARBON STEEL	STAINLESS STEEL
																						ITEM CODE	ITEM CODE
GB3 N 1 1/4	35 MPa	32	93	46,5	115	75	13,5	111,5	99	300	120,5	24	N 1 1/4	60	11	M6	50	F05	17	32	5,725	GB3NNT63021AF50	GB3NNT63044AF50
GB3 N 1 1/2	35 MPa	40	107	53,5	131	85	13,5	125,5	115	300	134,5	25	N 1 1/2	75	11	M6	50	F05	17	40	8,632	GB3NNT73021AF50	GB3NNT73044AF50
GB3 N 2	35 MPa	50	114	57	140	98	13,5	132,5	128	300	141,5	27	N 2	85	11	M6	50	F05	17	50	10,607	GB3NNT83021AF50	GB3NNT83044AF50

+ GB3

**3-WAY HIGH PRESSURE
BALL VALVES**

2014 - Edition 2



Carbon steel

Pos	Description	Material	Q.tà
1	Body	1,0570	1
2	Adapter	1,0570	2
3	Ball	1,0737	1
4	Stem	1,0737	1
5	Ball seat	POM	2
6	Handle	1,0116	1
7	Washer	1,0116	1
8	Washer	1,0116	1
9	Stem ring	POM	1
10	Spine	1,0737	1
11	Seeger	1,4301	1
12	Adapter o-ring	NBR	4
13	Stem o-ring	NBR	1
14	Screw	ISO4017 8.8	1
15	Caps	PVC	3

On request

- Reduced bore
- O-Ring in FKM, EPDM, HNBR, KALREZ
- Seals in PTFE, PEEK, PA612, GEMPTFE, METAL TO METAL
- Special threads
- Stem in stainless steel 1,4404
- Ball in stainless steel 1,4404
- Pressure class up to PN35 MPa
- Pneumatic and electrical actuator
- Locking device

Stainless steel

Pos	Description	Material	Q.tà
1	Body	1,4404	1
2	Adapter	1,4404	2
3	Ball	1,4404	1
4	Stem	1,4404	1
5	Ball seat	POM	2
6	Handle	1,4301	1
7	Washer	1,4301	1
8	Washer	1,4301	1
9	Stem ring	POM	1
10	Spine	1,4301	1
11	Seeger	1,4301	1
12	Adapter o-ring	NBR	4
13	Stem o-ring	NBR	1
14	Screw	ISO4017 A2	1
15	Caps	PVC	3

On request

- Reduced bore
- O-Ring in FKM, EPDM, HNBR, KALREZ
- Seals in PTFE, PEEK, PA612, GEMPTFE, METAL TO METAL
- Special threads
- Pressure class up to PN35 MPa
- Pneumatic and electrical actuator
- Locking device

For further special requests please consult our technical/commercial service