

# + G3K

## 3-WAY HIGH PRESSURE BALL VALVES



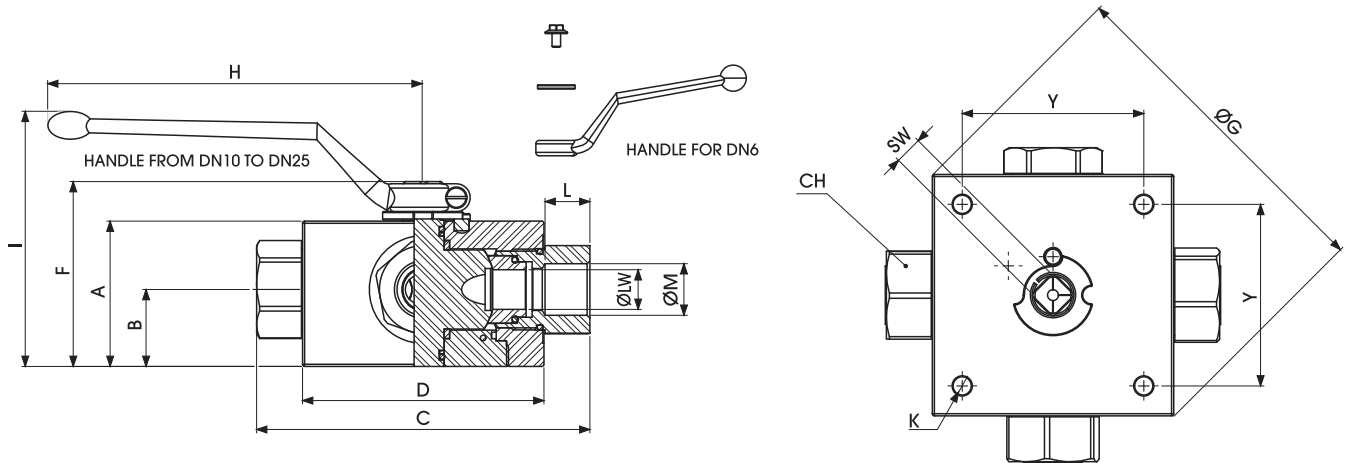
G3K

| G3K                   | K01  | G 1/4   | DN6                                     | 1                                   | 1             | 1                | 1             | A             | B                  |                                |
|-----------------------|--|---|---|-------------------------------------|---------------|------------------|---------------|---------------|--------------------|--------------------------------|
| Type and way of valve | Type of way  | GAS<br>DIN/ISO<br>228 BSP   | NPT<br>ANSI/ASME<br>B1.20.1             | Nominal dimension                   | Body material | Adapter material | Stem material | Ball material | Ball seat material | Adapter and stem seal material |
| G3K 3-way             | K01 K07<br>K02 K08<br>K03 K09<br>K04 K10<br>K05 K11<br>K06 K12 | G 1/4<br>G 3/8<br>G 1/2<br>G 3/4<br>G 1<br>G 1 1/4 R N 1 1/4 R<br>G 1 1/2 R N 1 1/2 R | N 1/4<br>N 3/8<br>N 1/2<br>N 3/4<br>N 1 | DN6<br>DN10<br>DN13<br>DN20<br>DN25 | 1 1,0737      | 1 1,0737         | 1 1,0737      | 1 1,0737      | A POM              | B NBR                          |

### CARBON STEEL

- Type: ball valve G3K 3 way
- Body: square
- Material: 1,0737/1,0737
- Ball seats: from DN6 up to DN25
- O-Rings: NBR
- Operating pressure: 500 Bar depending on valve size and seal materials selected
- Temp range: -20°C to +100°C depending on seal material selected





**G3K DIN ISO 228 BSP**

Standard

| TYPE          | PN     | DN | A  | B    | C   | D   | E  | F     | ØG  | H   | I     | L    | ØM      | CH | K   | Y  | SW | KG    |
|---------------|--------|----|----|------|-----|-----|----|-------|-----|-----|-------|------|---------|----|-----|----|----|-------|
| G3K G 1/4     | 50 MPa | 6  | 42 | 21,5 | 100 | 70  | 11 | 56,5  | -   | 110 | 97,5  | 15,5 | G 1/4   | 24 | 6,5 | 55 | 9  | 1,767 |
| G3K G 3/8     | 50 MPa | 10 | 53 | 28,5 | 115 | 80  | 14 | 71,5  | -   | 180 | 101   | 15,5 | G 3/8   | 30 | 6,5 | 65 | 14 | 3,018 |
| G3K G 1/2     | 40 MPa | 13 | 62 | 33   | 136 | 100 | 14 | 80,5  | -   | 180 | 110   | 17   | G 1/2   | 41 | 8,5 | 80 | 14 | 5,247 |
| G3K G 3/4     | 35 MPa | 20 | 68 | 36   | 156 | 113 | 14 | 86,5  | -   | 300 | 116,5 | 21   | G 3/4   | 41 | 8,5 | 85 | 14 | 6,898 |
| G3K G 1       | 35 MPa | 25 | 82 | 47,5 | 181 | 118 | 14 | 100,5 | 138 | 300 | 130,5 | 24   | G 1     | 50 | 8,5 | 85 | 14 | 9,005 |
| G3K G 1 1/4 R | 35 MPa | 25 | 82 | 47,5 | 181 | 118 | 14 | 100,5 | 138 | 300 | 130,5 | 24   | G 1 1/4 | 55 | 8,5 | 85 | 14 | 8,989 |
| G3K G 1 1/2 R | 35 MPa | 25 | 82 | 47,5 | 181 | 118 | 14 | 100,5 | 138 | 300 | 130,5 | 24   | G 1 1/2 | 60 | 8,5 | 85 | 14 | 9,213 |

**G3K ANSI/ASME B1.20.1 NPT**

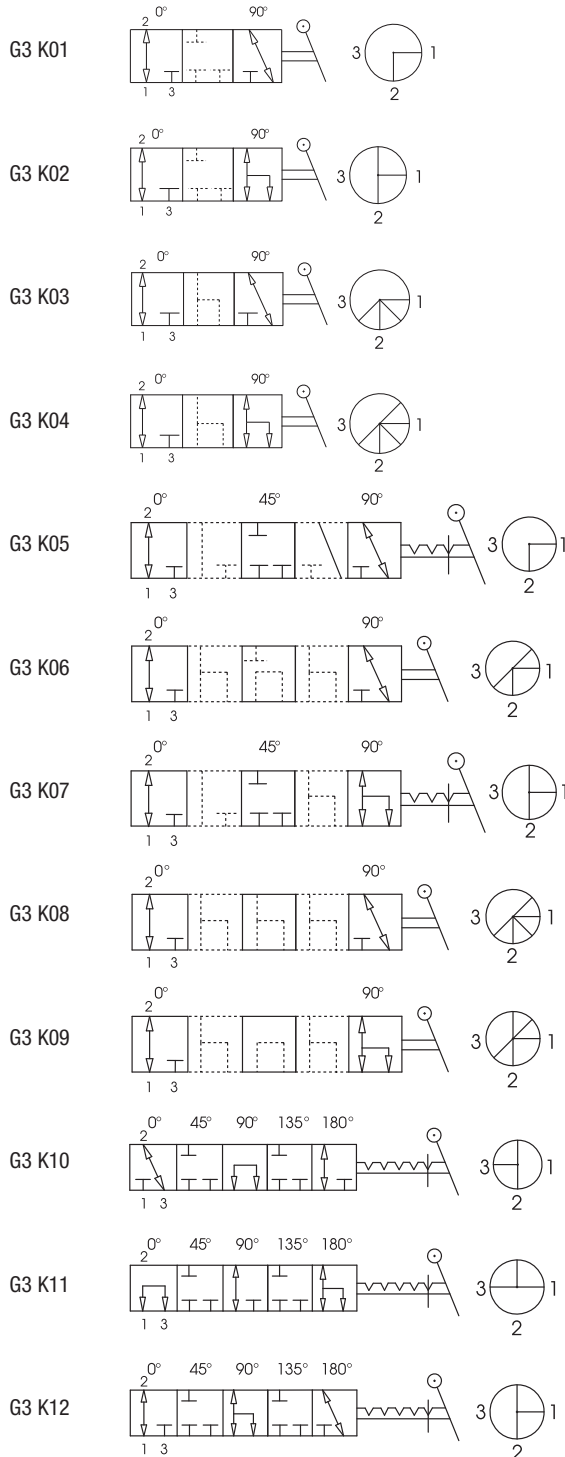
Standard

| TYPE          | PN     | DN | A  | B    | C   | D   | E  | F     | ØG  | H   | I     | L    | ØM      | CH | K   | Y  | SW | KG    |
|---------------|--------|----|----|------|-----|-----|----|-------|-----|-----|-------|------|---------|----|-----|----|----|-------|
| G3K N 1/4     | 50 MPa | 6  | 42 | 21,5 | 100 | 70  | 11 | 56,5  | -   | 110 | 97,5  | 15,5 | N 1/4   | 24 | 6,5 | 55 | 9  | 1,767 |
| G3K N 3/8     | 50 MPa | 10 | 53 | 28,5 | 115 | 80  | 14 | 71,5  | -   | 180 | 101   | 15,5 | N 3/8   | 30 | 6,5 | 65 | 14 | 3,018 |
| G3K N 1/2     | 40 MPa | 13 | 62 | 33   | 136 | 100 | 14 | 80,5  | -   | 180 | 110   | 17   | N 1/2   | 41 | 8,5 | 80 | 14 | 5,247 |
| G3K N 3/4     | 35 MPa | 20 | 68 | 36   | 156 | 113 | 14 | 86,5  | -   | 300 | 116,5 | 21   | N 3/4   | 41 | 8,5 | 85 | 14 | 6,898 |
| G3K N 1       | 35 MPa | 25 | 82 | 47,5 | 181 | 118 | 14 | 100,5 | 138 | 300 | 130,5 | 24   | N 1     | 50 | 8,5 | 85 | 14 | 9,005 |
| G3K N 1 1/4 R | 35 MPa | 25 | 82 | 47,5 | 181 | 118 | 14 | 100,5 | 138 | 300 | 130,5 | 24   | N 1 1/4 | 55 | 8,5 | 85 | 14 | 8,989 |
| G3K N 1 1/2 R | 35 MPa | 25 | 82 | 47,5 | 181 | 118 | 14 | 100,5 | 138 | 300 | 130,5 | 24   | N 1 1/2 | 60 | 8,5 | 85 | 14 | 9,213 |

+

**G3K**

**3-WAY HIGH PRESSURE  
BALL VALVES**



**G3K DIN ISO 228 BSP**

Standard

| CARBON STEEL |                 |
|--------------|-----------------|
| ØLW-K01      | ITEM CODE G3K01 |
| 6            | G23GGT15011A000 |
| 10           | G23GGT25011A000 |
| 13           | G23GGT34011A000 |
| 19           | G23GGT43011A000 |
| 23           | G23GGT53011A000 |
| 23           | G23GGR63011A000 |
| 23           | G23GGR73011A000 |

**G3K ANSI/ASME  
B1.20.1 NPT**

Standard

| CARBON STEEL |                 |
|--------------|-----------------|
| ØLW-K01      | ITEM CODE G3K01 |
| 6            | G23NNT15011A000 |
| 10           | G23NNT25011A000 |
| 13           | G23NNT34011A000 |
| 19           | G23NNT43011A000 |
| 23           | G23NNT53011A000 |
| 23           | G23NNR63011A000 |
| 23           | G23NNR73011A000 |

| CARBON STEEL |                 |
|--------------|-----------------|
| ØLW-K02      | ITEM CODE G3K02 |
| 6            | G2AGGT15011A000 |
| 10           | G2AGGT25011A000 |
| 13           | G2AGGT34011A000 |
| 19           | G2AGGT43011A000 |
| 23           | G2AGGT53011A000 |
| 23           | G2AGGR63011A000 |
| 23           | G2AGGR73011A000 |

| CARBON STEEL |                 |
|--------------|-----------------|
| ØLW-K02      | ITEM CODE G3K02 |
| 6            | G2ANNT15011A000 |
| 10           | G2ANNT25011A000 |
| 13           | G2ANNT34011A000 |
| 19           | G2ANNT43011A000 |
| 23           | G2ANNT53011A000 |
| 23           | G2ANNR63011A000 |
| 23           | G2ANNR73011A000 |

| CARBON STEEL |                 |
|--------------|-----------------|
| ØLW-K07      | ITEM CODE G3K07 |
| 6            | G2MGGT15011A000 |
| 10           | G2MGGT25011A000 |
| 13           | G2MGGT34011A000 |
| 19           | G2MGGT43011A000 |
| 23           | G2MGGT53011A000 |
| 23           | G2MGGR63011A000 |
| 23           | G2MGGR73011A000 |

| CARBON STEEL |                 |
|--------------|-----------------|
| ØLW-K07      | ITEM CODE G3K07 |
| 6            | G2MNNT15011A000 |
| 10           | G2MNNT25011A000 |
| 13           | G2MNNT34011A000 |
| 19           | G2MNNT43011A000 |
| 23           | G2MNNT53011A000 |
| 23           | G2MNNR63011A000 |
| 23           | G2MNNR73011A000 |

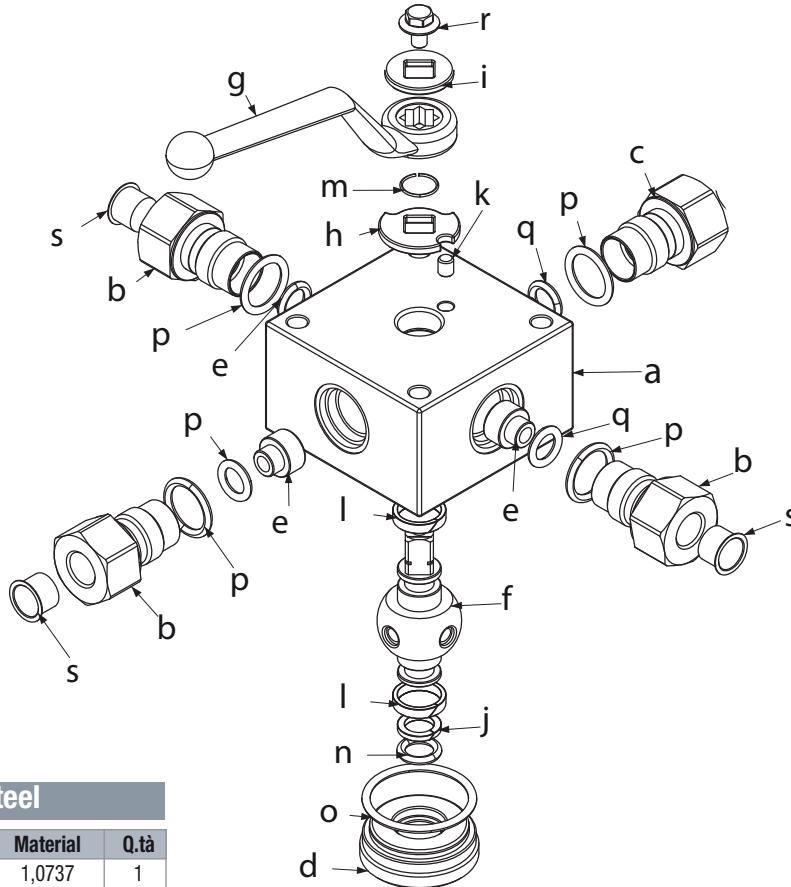
| CARBON STEEL |                 |
|--------------|-----------------|
| ØLW-K14      | ITEM CODE G3K14 |
| 5            | G2BGGT15011A000 |
| 7            | G2BGGT25011A000 |
| 10           | G2BGGT34011A000 |
| 15           | G2BGGT43011A000 |
| 17           | G2BGGT53011A000 |
| 17           | G2BGR63011A000  |
| 17           | G2BGR73011A000  |

| CARBON STEEL |                 |
|--------------|-----------------|
| ØLW-K14      | ITEM CODE G3K14 |
| 5            | G2BNNT15011A000 |
| 7            | G2BNNT25011A000 |
| 10           | G2BNNT34011A000 |
| 15           | G2BNNT43011A000 |
| 17           | G2BNNT53011A000 |
| 17           | G2BNNR63011A000 |
| 17           | G2BNNR73011A000 |

**+ G3K**

**3-WAY HIGH PRESSURE  
BALL VALVES**

2014 - Edition 2



**Carbon steel**

| Pos | Description       | Material     | Q.tà |
|-----|-------------------|--------------|------|
| 1   | Body              | 1,0737       | 1    |
| 2   | Adapter           | 1,0737       | 4    |
| 3   | Close adapter     | 1,0737       | 1    |
| 4   | Stem ball adapter | 1,0737       | 1    |
| 5   | Ball Seat         | POM          | 4    |
| 6   | Ball stem         | 1,0737       | 1    |
| 7   | Handle            | ZINC         | 1    |
| 8   | Washer            | 1,0116       | 1    |
| 9   | Washer            | 1,0116       | 1    |
| 10  | Stem ball ring    | PTFE         | 2    |
| 11  | Spine             | 1,0737       | 1    |
| 12  | Body ring         | PTFE         | 2    |
| 13  | Seeger            | 1,4301       | 1    |
| 14  | Stem ball o-ring  | NBR          | 2    |
| 15  | Body o-ring       | NBR          | 1    |
| 16  | Adapter o-ring    | NBR          | 4    |
| 17  | Seal o-ring       | NBR          | 4    |
| 18  | Screw             | DIN 6921 8.8 | 1    |
| 19  | Caps              | PVC          | 4    |

*For further special requests please consult our technical/commercial service*

**On request**

- Reduced bore
- O-Ring in FKM, EPDM, HNBR, KALREZ
- Seals in PTFE, PEEK, PA612, GEMPTFE, METAL TO METAL
- Special threads
- Stem in stainless steel 1,4404
- Ball in stainless steel 1,4404
- Pressure class up to PN35 MPa
- Pneumatic and electrical actuator
- Locking device