

+ G4K

4-WAY HIGH PRESSURE BALL VALVES



G4K

CARBON STEEL

- Type: ball valve G4K 4 way
- Body: square
- Material: 1,0570/1,0737
- Ball seats: from DN6 up to DN25
- O-Rings: NBR
- Operating pressure: 500 Bar depending on valve size and seal materials selected
- Temp range: -20°C to +100°C depending on seal material selected

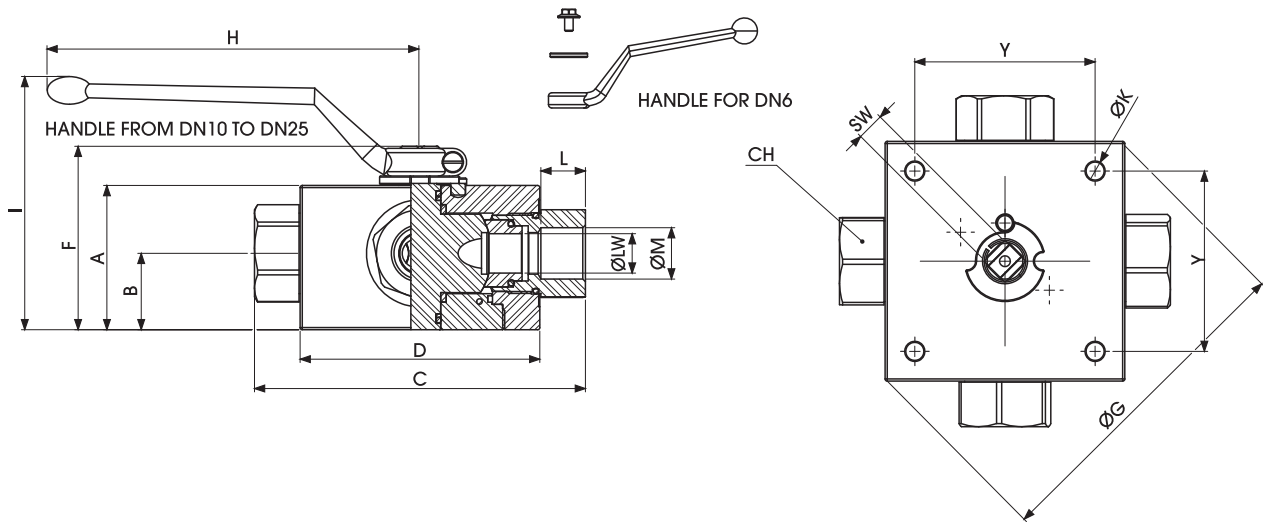
G4K	K01	G 1/4	DN6	1	1	1	1	A	B		
Type and way of valve	Type of way	GAS DIN/ISO 228 BSP	NPT ANSI/ASME B1.20.1	Nominal dimension	Body material	Adapter material	Stem material	Ball material	Ball seat material	Adapter and stem seal material	
G4K 4-way	K13	K21	G 1/4	N 1/4	DN6	1 1,0737	1 1,0737	1 1,0737	1 1,0737	A POM	B NBR
	K14	K22	G 3/8	N 3/8	DN10						
	K15	K23	G 1/2	N 1/2	DN13						
	K16	K24	G 3/4	N 3/4	DN20						
	K17	K25	G 1	N 1	DN25						
	K18	K26	G 1 1/4 R	N 1 1/4 R							
	K19	K27	G 1 1/2 R	N 1 1/2 R							
	K20										



+ G4K

4-WAY HIGH PRESSURE BALL VALVES

Specialist in Ball Valves



G4K DIN ISO 228 BSP

Standard

TYPE	PN	DN	A	B	C	D	E	F	ØG	H	I	L	ØM	CH	ØK	Y	SW	KG
G4K G 1/4	50 MPa	6	42	21,5	100	70	11	56,5	-	110	97,5	15,5	G 1/4	24	6,5	55	9	1,767
G4K G 3/8	50 MPa	10	53	28,5	115	80	14	71,5	-	180	101	15,5	G 3/8	30	6,5	65	14	3,018
G4K G 1/2	40 MPa	13	62	33	136	100	14	80,5	-	180	110	17	G 1/2	41	8,5	80	14	5,247
G4K G 3/4	35 MPa	20	68	36	156	113	14	86,5	-	300	116,5	21	G 3/4	41	8,5	85	14	6,898
G4K G 1	35 MPa	25	82	47,5	181	118	14	100,5	138	300	130,5	24	G 1	50	8,5	85	14	9,005
G4K G 1 1/4 R	35 MPa	25	82	47,5	181	118	14	100,5	138	300	130,5	24	G 1 1/4	55	8,5	85	14	8,989
G4K G 1 1/2 R	35 MPa	25	82	47,5	181	118	14	100,5	138	300	130,5	24	G 1 1/2	60	8,5	85	14	9,213

G4K ANSI/ASME B1.20.1 NPT

Standard

TYPE	PN	DN	A	B	C	D	E	F	ØG	H	I	L	ØM	CH	ØK	Y	SW	KG
G4K N 1/4	50 MPa	6	42	21,5	100	70	11	56,5	-	110	97,5	15,5	N 1/4	24	6,5	55	9	1,767
G4K N 3/8	50 MPa	10	53	28,5	115	80	14	71,5	-	180	101	15,5	N 3/8	30	6,5	65	14	3,018
G4K N 1/2	40 MPa	13	62	33	136	100	14	80,5	-	180	110	17	N 1/2	41	8,5	80	14	5,247
G4K N 3/4	35 MPa	20	68	36	156	113	14	86,5	-	300	116,5	21	N 3/4	41	8,5	85	14	6,898
G4K N 1	35 MPa	25	82	47,5	181	118	14	100,5	138	300	130,5	24	N 1	50	8,5	85	14	9,005
G4K N 1 1/4 R	35 MPa	25	82	47,5	181	118	14	100,5	138	300	130,5	24	N 1 1/4	55	8,5	85	14	8,989
G4K N 1 1/2 R	35 MPa	25	82	47,5	181	118	14	100,5	138	300	130,5	24	N 1 1/2	60	8,5	85	14	9,213

+

G4K

4-WAY HIGH PRESSURE
BALL VALVES

G4K DIN ISO 228 BSP

Standard

G4K ANSI/ASME B1.20.1 NPT

Standard

CARBON STEEL	
ØLW-K01	ITEM CODE G4K01
6	G24GGT15011A000
10	G24GGT25011A000
13	G24GGT34011A000
19	G24GGT43011A000
23	G24GGT53011A000
23	G24GGR63011A000
23	G24GGR73011A000

CARBON STEEL	
ØLW-K13	ITEM CODE G4K13
6	G2DGGT15011A000
10	G2DGGT25011A000
13	G2DGGT34011A000
19	G2DGGT43011A000
23	G2DGGT53011A000
23	G2DGGR63011A000
23	G2DGGR73011A000

CARBON STEEL	
ØLW-K01	ITEM CODE G4K01
6	G24NNT15011A000
10	G24NNT25011A000
13	G24NNT34011A000
19	G24NNT43011A000
23	G24NNT53011A000
23	G24NNR63011A000
23	G24NNR73011A000

CARBON STEEL	
ØLW-K13	ITEM CODE G4K13
6	G2DNNT15011A000
10	G2DNNT25011A000
13	G2DNNT34011A000
19	G2DNNT43011A000
23	G2DNNT53011A000
23	G2DNNR63011A000
23	G2DNNR73011A000

ØLW-K14	ITEM CODE G4K14
5	G2EGGT15011A000
7	G2EGGT25011A000
10	G2EGGT34011A000
15	G2EGGT43011A000
17	G2EGGT53011A000
17	G2EGGR63011A000
17	G2EGGR73011A000

ØLW-K15	ITEM CODE G4K15
5	G2HGGT15011A000
7	G2HGGT25011A000
10	G2HGGT34011A000
15	G2HGGT43011A000
17	G2HGGT53011A000
17	G2HGGR63011A000
17	G2HGGR73011A000

ØLW-K14	ITEM CODE G4K14
5	G2ENNT15011A000
7	G2ENNT25011A000
10	G2ENNT34011A000
15	G2ENNT43011A000
17	G2ENNT53011A000
17	G2ENNR63011A000
17	G2ENNR73011A000

ØLW-K15	ITEM CODE G4K15
5	G2HNNT15011A000
7	G2HNNT25011A000
10	G2HNNT34011A000
15	G2HNNT43011A000
17	G2HNNT53011A000
17	G2HNNR63011A000
17	G2HNNR73011A000

ØLW-K16	ITEM CODE G4K16
5	G2GGGT15011A000
7	G2GGGT25011A000
10	G2GGGT34011A000
15	G2GGGT43011A000
17	G2GGGT53011A000
17	G2GGGR63011A000
17	G2GGGR73011A000

ØLW-K19	ITEM CODE G4K19
5	G2IGGT15011A000
7	G2IGGT25011A000
10	G2IGGT34011A000
15	G2IGGT43011A000
17	G2IGGT53011A000
17	G2IGGR63011A000
17	G2IGGR73011A000

ØLW-K16	ITEM CODE G4K16
5	G2GNNT15011A000
7	G2GNNT25011A000
10	G2GNNT34011A000
15	G2GNNT43011A000
17	G2GNNT53011A000
17	G2GNNR63011A000
17	G2GNNR73011A000

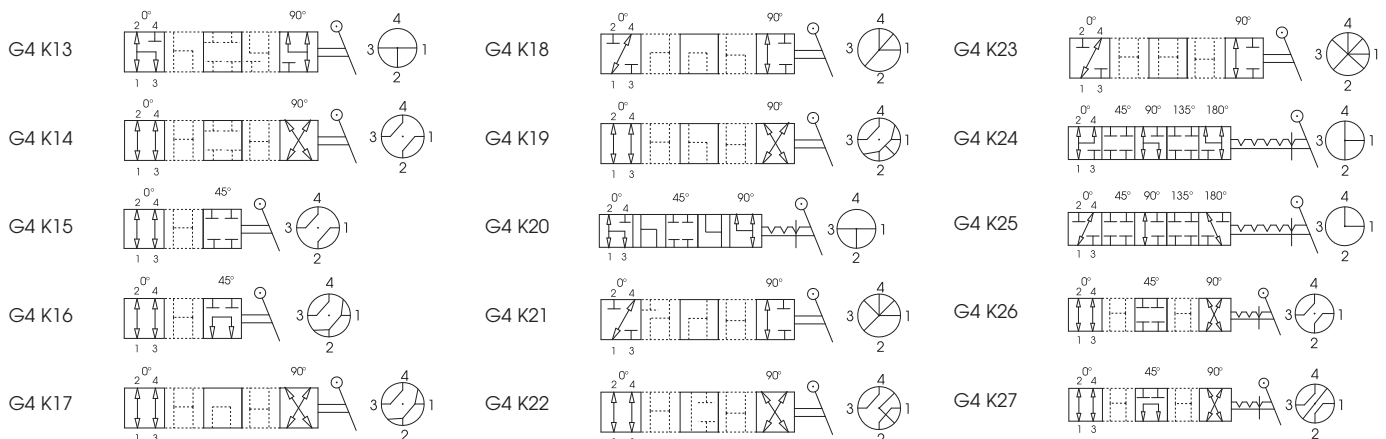
ØLW-K19	ITEM CODE G4K19
5	G2INNT15011A000
7	G2INNT25011A000
10	G2INNT34011A000
15	G2INNT43011A000
17	G2INNT53011A000
17	G2INNR63011A000
17	G2INNR73011A000

ØLW-K26	ITEM CODE G4K26
5	G2LGGT15011A000
7	G2LGGT25011A000
10	G2LGGT34011A000
15	G2LGGT43011A000
17	G2LGGT53011A000
17	G2LGGR63011A000
17	G2LGGR73011A000

ØLW-K27	ITEM CODE G4K27
5	G2FGGT15011A000
7	G2FGGT25011A000
10	G2FGGT34011A000
15	G2FGGT43011A000
17	G2FGGT53011A000
17	G2FGGR63011A000
17	G2FGGR73011A000

ØLW-K26	ITEM CODE G4K26
5	G2LNNT15011A000
7	G2LNNT25011A000
10	G2LNNT34011A000
15	G2LNNT43011A000
17	G2LNNT53011A000
17	G2LNNR63011A000
17	G2LNNR73011A000

ØLW-K27	ITEM CODE G4K27
5	G2FNNT15011A000
7	G2FNNT25011A000
10	G2FNNT34011A000
15	G2FNNT43011A000
17	G2FNNT53011A000
17	G2FNNR63011A000
17	G2FNNR73011A000

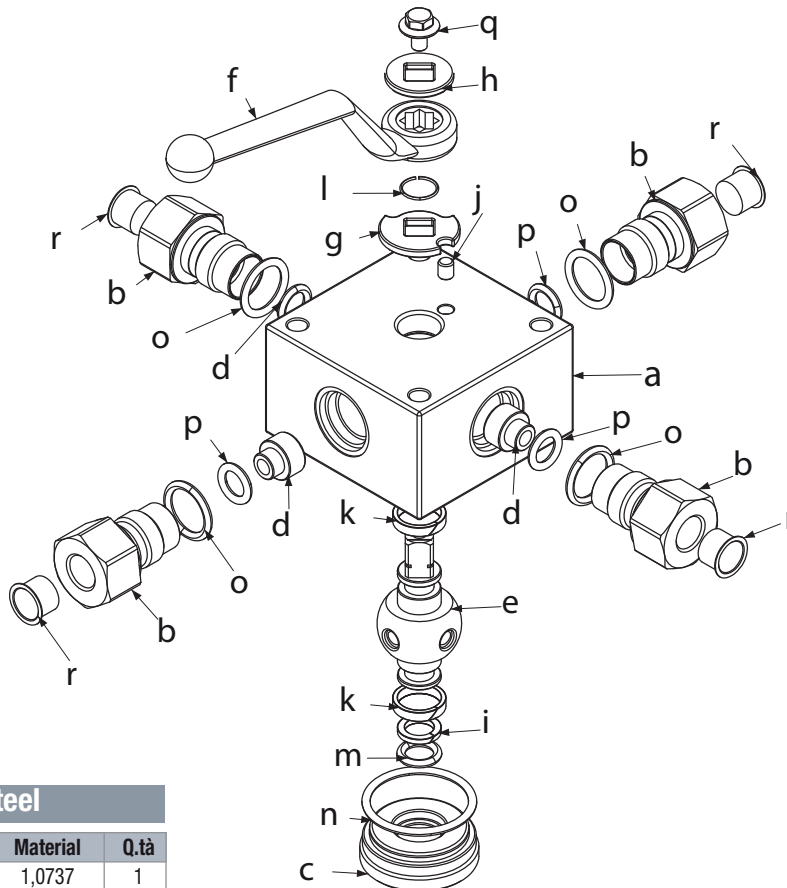


"The company reserves the right to operate dimensional changes without prior notice".

+ G4K

**4-WAY HIGH PRESSURE
BALL VALVES**

2014 - Edition 2



Carbon steel			
Pos	Description	Material	Q.tà
1	Body	1,0737	1
2	Adapter	1,0737	4
3	Stemball adapter	1,0737	1
4	Ball Seat	POM	4
5	Ball stem	1,0737	1
6	Handle	ZINC	1
7	Washer	1,0116	1
8	Washer	1,0116	1
9	Stemball ring	PTFE	2
10	Spine	1,0737	1
11	Body ring	PTFE	2
12	Seeger	1,4301	1
13	Stemball o-ring	NBR	2
14	Body o-ring	NBR	1
15	Adapter o-ring	NBR	4
16	Seal o-ring	NBR	4
17	Screw	DIN 6921 8.8	1
18	Caps	PVC	4

For further special requests please consult our technical/commercial service

- On request**
- Reduced bore
 - O-Ring in FKM, EPDM, HNBR, KALREZ
 - Seals in PTFE, PEEK, PA612, GEMPTFE, METAL TO METAL
 - Special threads
 - Pressure class up to PN50 MPa
 - Pneumatic and electrical actuator
 - Locking device